

BALMAR

WWW.BALMAR.NET

621-Series Alternators

Models:

Model	Rated Amps	Volts	Ground
621-70-SR-IG	80	12	Isolated
621-100-SR-IG	110	12	Isolated
621-120-SR-IG	135	12	Isolated
621-150-SR-IG	160	12	Isolated
621-24-70-SR-IG	65	24	Isolated

Specifications

Mounting Foot Configuration - Single 1" x 1/2" Bore

Includes bushed spacer for single 2" mount w/3/8" bore

Tensioning Arm - Multi-Position Crown

Rotor/Stator - 12-Pole

Charging Output - Single Positive Post

Stator Output - Rectified Alternating Current (AC)

Low Voltage Output - Diode Trio (D+)

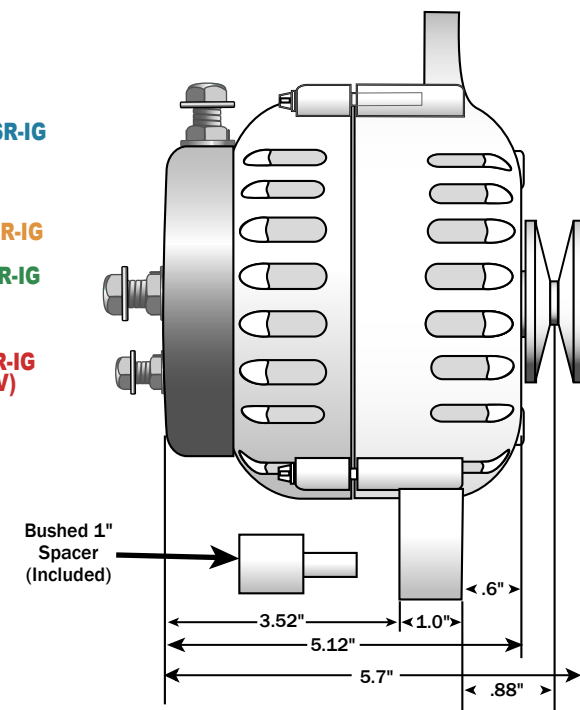
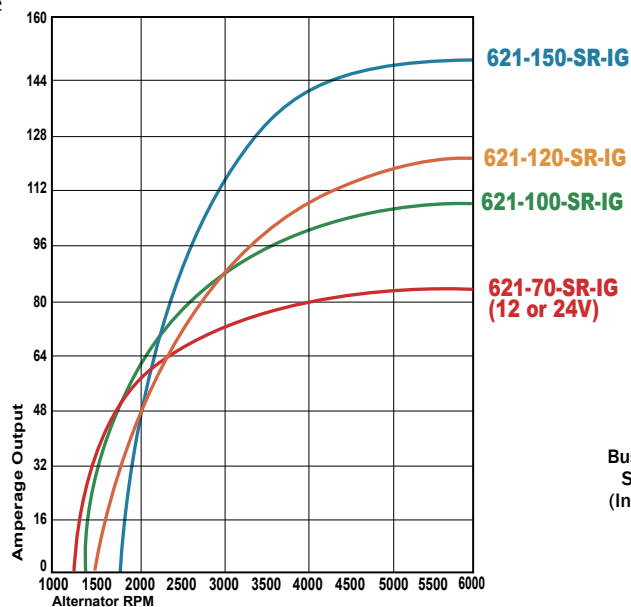
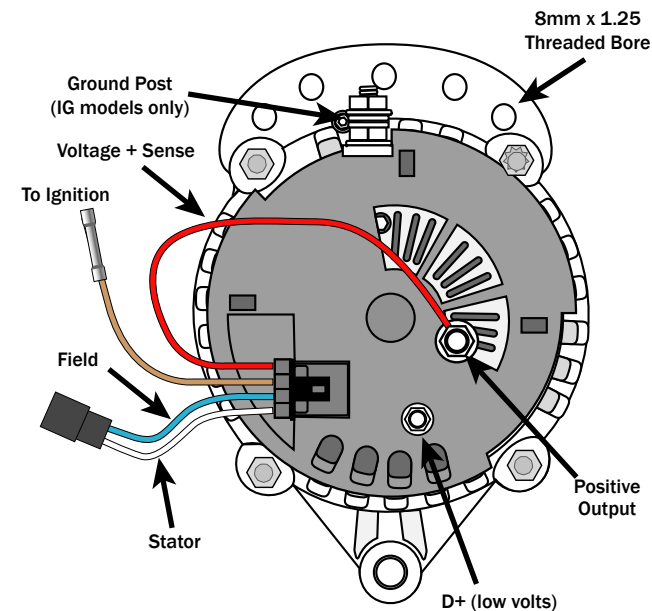
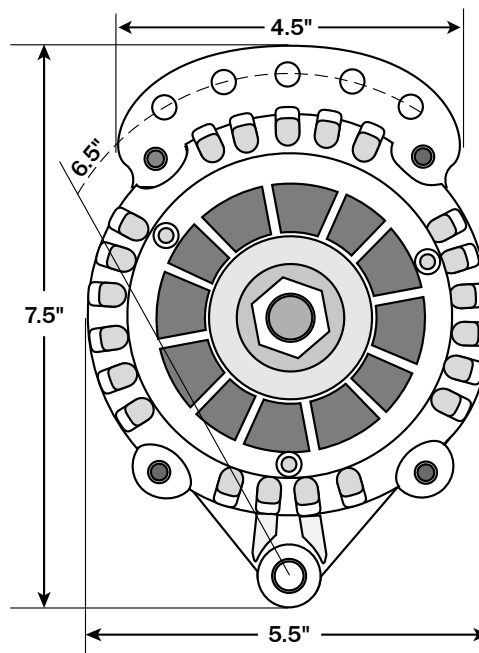
Bearings - Sealed, Internally lubricated HD

Cooling - Dual Internal Fans

Regulation - Internal Single Stage With Wiring

Connection for External Multi Stage Regulator

Warranty - One Year Limited



Note: 135 and 160-amp models equipped with dual belt pulleys. Overall measurement from front of std. dual pulley is 6.8"